

# BUTYNOL

## Multipurpose Rubber

DUNLOP BUTYNOL® Multipurpose Rubber is a flexible, waterproof lining suitable for a wide range of projects including the waterproofing of roofs and ponds, repairs and general household projects. Dunlop Butynol is UV resistant and 1mm thick making it tough and durable for a wide range of applications.



### BEFORE YOU BEGIN

Dunlop Butynol Multipurpose Rubber is ideal for general waterproofing and lining projects. Projects requiring a higher level of technical expertise (e.g. waterproofing projects involving chases, parapets, flashing into walls or pipes, roof protrusions, downpipes, intricate detailing etc), should be carried out by trained and approved applicators and in accordance with any council or government requirements. If you are unsure of the degree of difficulty of your project, please contact the Dunlop Toll Free Hotline on 0800 224 070.

### SUITABLE SURFACES

Dunlop Butynol can be applied by direct stick using Dunlop Butynol Adhesive over timber, metal and masonry surfaces. Ballast application is an alternative to direct sticking the Dunlop Butynol where selected pebbles are used to secure the Dunlop Butynol in place. For any other surfaces, please contact Dunlop Toll Free Hotline.

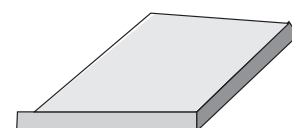
### SURFACE PREPARATION

Surfaces must be clean, smooth, dry, free from sharp edges, oil, grease, rust, paint and other contaminants. Any joins in plywood sheets should be taped using 25mm polyethylene tape. Sweep the Butynol sheet surface with a stiff broom to remove any surface contaminants if present. Do not attempt to use Butynol Adhesive when there is a possibility of freezing temperatures within 48 hours after application.

### DIRECT STICK APPLICATION WITH DUNLOP BUTYNOL ADHESIVE

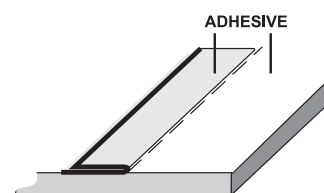
1. Stir adhesive thoroughly before and during use and ensure the adhesive is not applied at temperatures below 10°C or above 30°C.

2. Lay out the Butynol sheeting in its final position for approximately 20 minutes to "relax" the sheeting before fixing. Fold back half of the Butynol sheet to expose half the underside.



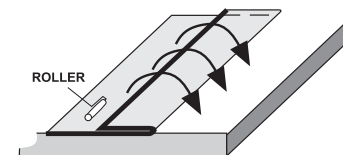
Accurately place sheet in its final position.

3. Apply adhesive to the surface and the exposed underside of the Dunlop Butynol rubber sheet using a paint roller at a coverage rate of 2.5-3m<sup>2</sup> per litre. Ensure adhesive is applied evenly to both the Butynol and the surface being applied to at the same time to ensure a similar drying time. The adhesive may also be applied by spray, followed by back rolling to ensure 100% coverage of the adhesive. Take care not to apply adhesive to any area not requiring adhesive.



Fold back half of the sheet. Apply adhesive to both the sheet and surface.

4. Leave the adhesive to tack dry before bonding the sheet to the surface. To check if the adhesive is tack dry, touch the adhesive with a clean, dry finger to be certain the adhesive does not stick or is stringy. The adhesive will change from peach/pink colour to clear to indicate that the adhesive is tacky and ready for application. Tack off time will depend on temperature and humidity.



Once adhesive is tack dry, compress the sheet to the surface.

5. When the adhesive is ready, roll the coated sheet into the coated surface slowly and evenly to avoid wrinkles. If an installation error occurs (e.g. wrinkles), immediately remove and refix Butynol.

# BUTYNOL

## Multipurpose Rubber

5. Repeat steps 3-5 for the other half of the Butynol sheet. To ensure a proper bond, compress the bonded sheet to the surface with a stiff broom or heavy linoleum roller.

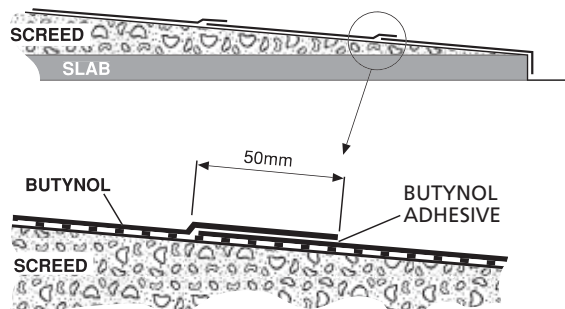
If Butynol sheets need to be joined together, they will need to be lapped by 50mm and sealed using Butynol Seam Tape and Seam Primer\*.

\*Butynol Seam Tape and Butynol Seam Primer are available for purchase by special order.

### BONDING BUTYNOL SHEETS TOGETHER

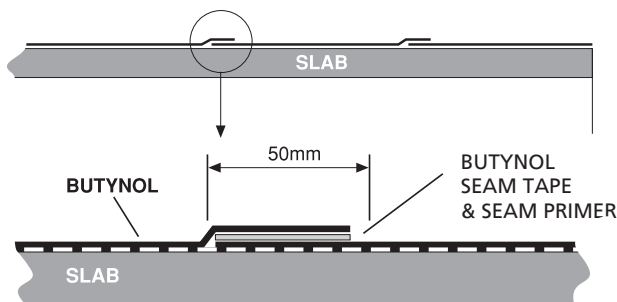
#### TYPE 1: Areas with a pitch of more than 5°, sufficient for water run-off

As per the diagram below, sheets of Dunlop Butynol may be lapped by 50mm using Dunlop Butynol Adhesive following the same method of direct sticking Butynol as outlined on previous page.



#### TYPE 2: Areas with a pitch of less than 5° where Butynol sheets are joined including guttering and areas subjected to periodic ponding.

Special lap bonding of the Butynol sheets is required to ensure strong, waterproof seams using Dunlop Seam Tape and Dunlop Seam Primer.



1. The top lap should be positioned 50mm over the bottom sheet and the bottom sheet should be marked to indicate where the edge of the top sheet will finish.
2. Fold the top sheet back.

3. Apply the Dunlop Seam Primer using a scrubbing pad to the area of the Butynol bottom sheet that will be overlapped by the top sheet. Also apply Dunlop Seam Primer to the 50mm edge of the top sheet that will meet the bottom sheet. Allow the Primer to become touch dry.

4. Position and unroll the 50mm Butynol Seam Tape along the seam of the bottom sheet. The edge of the seam tape should be aligned to the mark on the bottom Butynol sheet.

5. Roll the tape along the length of the seam with the backing film still in place.

6. Remove the backing film of the seam tape by pulling at a 45° angle away from the seam. Keep the release paper low to the Butynol surface as it is removed.

7. Fold into place, the primed edge of the top sheet.

8. Roll the completed seam with a linoleum roller or stiff broom to ensure the seam is fully compressed.

### BUTYNOL ADHESIVE COVERAGE

Depending on application technique and surface porosity and evenness, Butynol Adhesive coverage will be approx. 2.5-3m<sup>2</sup> per litre when adhesive is applied by roller to both the Butynol sheet and the surface that the Butynol is being applied to. If the Butynol Adhesive is applied by spray and back-rolled, the coverage rate may be slightly higher than when rolled only.

### CLEAN UP

All tools should be cleaned with water immediately after use.

### SHELF LIFE

A shelf life of 12 months is expected when stored in an unopened container, in a dry place at 23°C. Ensure that the pail is not subject to frost or high temperatures.

### SAFETY

Dunlop Butynol Adhesive is non-hazardous and non-dangerous. Do not breathe gas/fumes/vapour/spray. Wear eye/face protection. Use only in well ventilated areas. Keep container tightly closed and in a well ventilated place. In case of contact with eyes, rinse with plenty of water. In event of irritation, seek medical advice. Material Safety Data Sheet (MSDS) is available on the Dunlop website.

### TOLL FREE HOTLINE

1800 222 841 (Aust) 0800 224 070 (NZ)

[www.dunlopdirect.com](http://www.dunlopdirect.com)

Ardex Australia Pty Ltd

ABN 82 000 550 005

20 Powers Road SEVEN HILLS NSW 2147 Australia