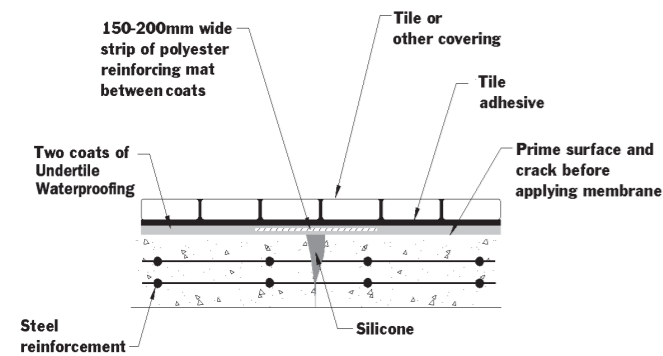


STEP 6

CRACK PREPARATION

Cracks are treated in a similar manner to corner areas. Clean and remove any loose particles in the crack. Prime the area before applying a bead of silicone into the crack and smoothing it to extend 5mm either side. Apply a 300mm wide band of DUNLOP® UNDERTILE WATERPROOFING along the entire length of the crack. Place a pre-cut length polyester reinforcement mat into the wet membrane. Remove any creases or air pockets in the mat. Immediately apply a second coat of DUNLOP® UNDERTILE WATERPROOFING to completely fill the mat.



STEP 7

WALLS

Apply a coat of undertile waterproofing to the walls to a minimum height of 50-100mm above the hob. When no hob exists, apply the membrane to a height of at least 100-150mm above the point at which the tiles within the shower will finish. Application should be liberal and in two opposite directions with a brush or roller. It is unnecessary to use reinforcement mat between coats. However when a mat is not used the second coat cannot be applied until the first coat is dry.

FLOORS

Apply a full coat of DUNLOP® UNDERTILE WATERPROOFING to the entire recess floor joining up with the pre-waterproofed corner and waste outlet areas. The membrane should also be extended over the hob and at least 100mm onto the bathroom floor. Apply liberally with a brush or roller ensuring even coverage and a wet film thickness of 1mm. Replace the lid of the bucket to prevent the liquid skinning over.

Allow 1-2 hours or touch dry before applying a second coat of DUNLOP® UNDERTILE WATERPROOFING to the walls and floor of the shower recess. Apply the second coat at a 90° angle to the first (i.e. if the first coat was applied horizontally, apply the second coat vertically). Each coat should have a wet film thickness of 1mm.

TECHNICAL DETAILS

COVERAGE

A 4L unit of DUNLOP® UNDERTILE WATERPROOFING will cover approximately 2m² when two coats are applied at the correct film thickness of 1.00mm per coat.

DRYING TIME

Allow 1-2 hours between first and second coats. If DUNLOP® POLYESTER REINFORCING MAT is used between coats the second coat should be applied while the first coat is still wet. The membrane will be completely dry after 48 hours at 23°C or 5 days at 10°C. The shower should not be used until the membrane is fully cured.

CERAMIC TILING OVER DUNLOP® UNDERTILE WATERPROOFING

It is essential to allow the Membrane to dry through before fixing tiles. DUNLOP® UNDERTILE WATERPROOFING is fully compatible with DUNLOP® tile adhesives. For walls and floors we recommend the use of DUNLOP® WALL AND FLOOR TILE ADHESIVE.

CLEANING

Wash hands, brushes or rollers etc. with water while the membrane is still fresh. Remove cured material with mineral turpentine.

SAFETY

DUNLOP® UNDERTILE WATERPROOFING is non-toxic. However, the contents should not be swallowed or inhaled. In case of eye contamination, rinse thoroughly with clean water. If irritation continues seek medical advice. Material Safety Data Sheets are available upon request.

STORAGE

Store in a dry place between 5°C and 35°C. Protect from frost and heat. A shelf life of 12 months is expected in the original unopened packaging. Partly used materials should be used within 3 months of opening the container.

PRECAUTIONS

- DUNLOP® UNDERTILE WATERPROOFING should not be used over surfaces where continuous rising damp or hydrostatic pressure is a problem.
- DUNLOP® UNDERTILE WATERPROOFING should not be applied over surfaces with temperature below 10°C or greater than 30°C.
- DUNLOP® UNDERTILE WATERPROOFING is to be used straight from the bucket. Do not thin with water or add sand as this will reduce the flexibility and cause cracking.

SHOWER WATERPROOFING KIT

MINIMUM WATERPROOFING REQUIREMENTS

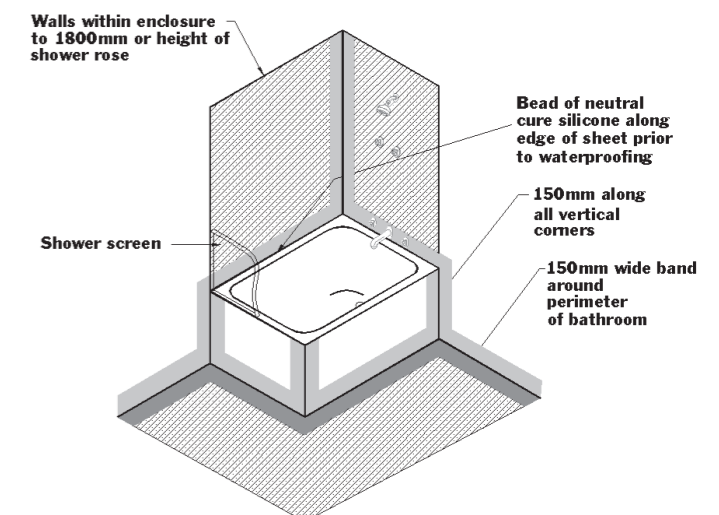
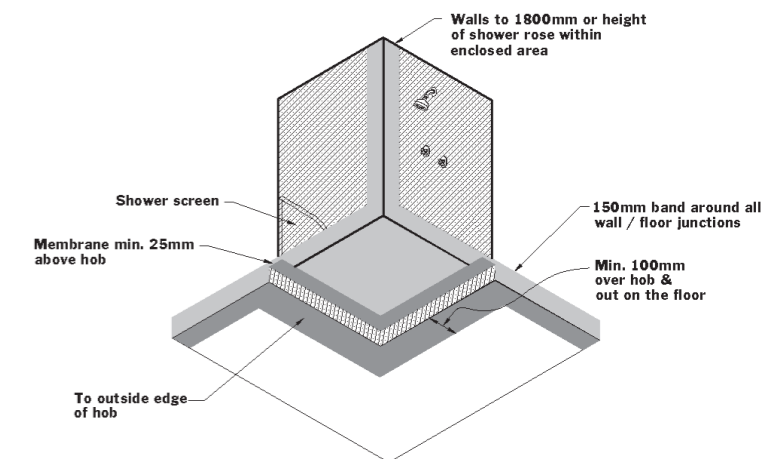
Waterproofing is designed to prevent water exiting a wet area and penetrating adjacent areas where it may cause damage and unhealthy or dangerous conditions. The tile and grout surface is only an intermediate barrier, and does not provide an effective long term waterproofing barrier.

The key to waterproofing any area that is susceptible to water penetration is to properly tank the area. By tanking it is meant that the product should be applied to form a 'tank' in which the water and moisture can be contained. For instance, in a shower the 'tank' is formed by applying waterproofing to the full shower recess floor and up the base of adjacent shower walls within the shower recess.

Tile Building Code of Australia (1996) and the Australian Standard (AS 3740-2004) outline certain minimum requirements for the waterproofing of residential bathrooms. The contents of this kit will waterproof a standard shower to these minimum requirements. However, to provide the best long term insurance against water damage the full walls within the shower recess, and the full floor within the bathroom should be waterproofed.

The Australian Standard (AS 3740-2004) requires that the following areas within a bathroom must be waterproofed.

- full floor within the shower recess including down into the waste
- minimum 100mm over the hob or step-down onto the bathroom floor
- minimum 150mm up the walls within the shower recess
- the vertical angle between two walls within the shower up to minimum 1800mm or 80mm above the shower rose
- the full bathroom floor if it is made from timber, plywood or particleboard or is above the ground floor



SHOWER WATERPROOFING KIT

INSTALLATION INSTRUCTIONS

OVERVIEW

The DUNLOP® SHOWER WATERPROOFING KIT contains a tough, ready to use waterproofing membrane specially designed for waterproofing under tiles. DUNLOP® UNDERTILE WATERPROOFING is based upon the most advanced acrylic polymer technology. It is safe to use, low in odour and is fully compatible with acrylic modified tile adhesives. Undertile waterproofing is what is referred to in the industry as a 'liquid applied' waterproofing membrane. The consistency of the product is like a very thick paint. The product is applied by brush or roller, and dries to form a tough and flexible film which is totally impervious to water. DUNLOP® UNDERTILE WATERPROOFING has the approval of an independent testing authority (CSIRO).

Please note that some councils across Australia require that new waterproofing work be performed by licensed waterproofing applicators.

KIT COMPONENTS

- 4L of DUNLOP® UNDERTILE WATERPROOFING
- 1L of DUNLOP® PRIMER AND ADDITIVE
- 1 cartridge of SILICONE
- 10 lineal metres of DUNLOP® POLYESTER REINFORCING MAT

ACCEPTABLE SUBSTRATES	PREPARATIONS
Concrete/Screeds/Renderers	Must be sound, and any damaged or uneven areas must be repaired. New concrete must be allowed to cure for 28 days. Screeds and renderers must cure for minimum 7 days. Curing agents and surface contaminants must be removed.
Brick/concrete blocks	Ensure all joints are filled flush. Remove sharp edges/dags. Fill any voids with a suitable patching compound.
Compressed fibre cement sheets	Clean the sheet with a damp sponge or cloth. Use silicone or PVC duct tape to seal any sheet joints.
Structural or marine plywood (wet area grade)	Clean the sheet with a damp sponge or cloth. Seal any sheet joints with silicone. Cut edges must be sealed prior to waterproofing.
Plaster board (water resistant)	Ensure sheet joints are fixed according to manufacturers instructions. Tape joints and set with base coat jointing compound.
Particleboard (wet area grade)	Used internally only. Special preparation is required, contact DUNLOP® Toll Free Service 1800 222 841
PVC Pipes	Roughen the surface and clean off any grease/grime before priming.

Contact Toll Free Service on 1800 222 841 if waterproofing any surface not mentioned above.

COVERAGE

The 4L of waterproofing membrane contained in this kit is sufficient to waterproof approximately 2m². This is equivalent to waterproofing a shower recess to the minimum requirements of the Australian Building Standard.

TOOLS REQUIRED

DUNLOP® UNDERTILE WATERPROOFING should be applied by brush or roller. We recommend using a medium nap (8-12mm pile) paint roller. New rollers should be dampened with water before being used for the first time. For best results with a paint brush use a good quality, 50mm long bristle variety.

SURFACE PREPARATION

Ensure that the surface to be waterproofed:

- is structurally sound and that any sheet substrates have been fixed in accordance with manufacturers instructions
- is free from dirt, dust, oil, paint, curing compounds and any other contaminant materials
- nails and screws are flush with the wall surface and covered with a spot of silicone
- is free from holes, protrusions or sharp edges
- has falls to the waste outlet of 1:60 (around 15mm in 1 metre) before tiling commences
- and is COMPLETELY DRY

SHOWER WATERPROOFING KIT

APPLICATION

NEW SHOWER

STEP 1

PRIMING

After the surface preparation is complete apply one good coat of DUNLOP® PRIMER AND ADDITIVE by brush or roller to all areas to be waterproofed, including down into the floor waste. If the substrate is porous a second coat may be required. It is critical to allow the primer to dry before applying the undertile waterproofing membrane. This should take 20-30 minutes.

A suitable PVC or metal primer should be used on the waste outlet.

STEP 2

WALL/FLOOR JUNCTION AND WASTE OUTLET PREPARATION

The junctions between wall and floor, between internal vertical corners and around the floor waste outlet are critical. After priming apply a generous bead (10mm wide) of silicone to:

- all wall/floor junctions within the shower
- junctions between two wall sheets within the shower recess (up to where the tiling finishes).
- the perimeter of the waste outlet/floor junction

Smooth over the silicone so that it extends 5mm either side of the junction.

STEP 3

PRE-CUT STRIPS OF POLYESTER REINFORCING MAT

While the primer is drying, lengths of the polyester reinforcing mat should be cut to size in order to fit into all the internal corners of the shower recess. Areas that should be reinforced include the junctions between wall and floor, hob and floor and the vertical corner formed by the meeting of the two walls. The internal vertical corner piece should be at least 1.8 metres long. In addition, a piece should be cut to the same length as any crack(s) in the substrate.

STEP 4

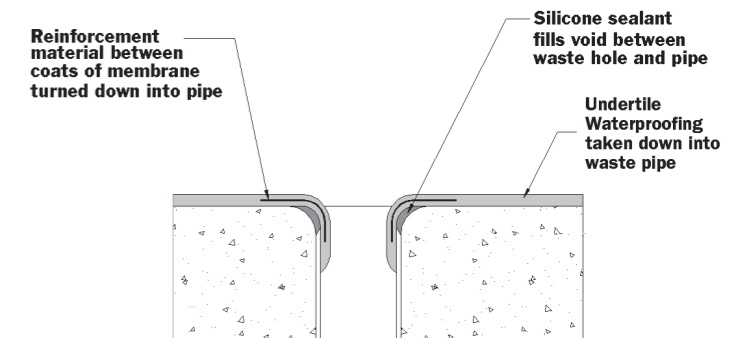
INTERNAL CORNERS

An initial band of DUNLOP® UNDERTILE WATERPROOFING should be applied to all internal corners. The band should extend approximately 150mm either side of the wall/floor or wall/wall junction. In vertical corners the membrane should be taken to a height of at least 1.8m. While the membrane is still wet place the pre-cut lengths of polyester reinforcing mat into the wet membrane. Smooth any creases or air bubbles in the mat and apply a second coat of DUNLOP® UNDERTILE WATERPROOFING to completely cover the mat.

STEP 5

WASTE OUTLET

If the waste pipe protrudes from the floor, the membrane should be applied up the outside of the pipe. Alternatively the membrane should be taken down into the outlet if it is flush with the floor. Place pieces of pre-cut polyester reinforcing mat into the wet membrane and down into the outlet. Immediately apply a second coat of DUNLOP® UNDERTILE WATERPROOFING to completely cover the mat.



EXISTING SHOWER RECESSES

Remove wall tiles to a height of approximately 150mm (usually one row of wall tiles) from the shower floor. Remove all floor tiles and tiles from around the inside of the hob. Repair the concrete surface to leave it smooth and free of penetrations. Allow the exposed areas to dry thoroughly before following the same steps detailed above.